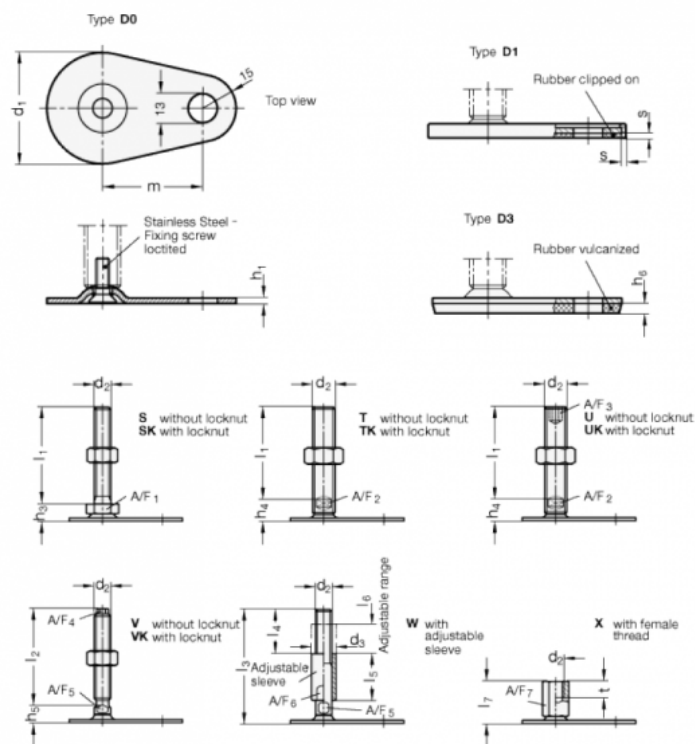


Article number: 204360M1232D3X
 Description: E+G levelling foot
 GN 43-60-M12-32-D3-X
 Note: X With female thread, External hexagon

Measures



A/F7 = 17	t = 12
d1 = 60	
d2 = M12	
h1 = 2.5	
h6 = 4.5	
l7 = 32	
m = 70	
s =	